

Ruckus T750SE

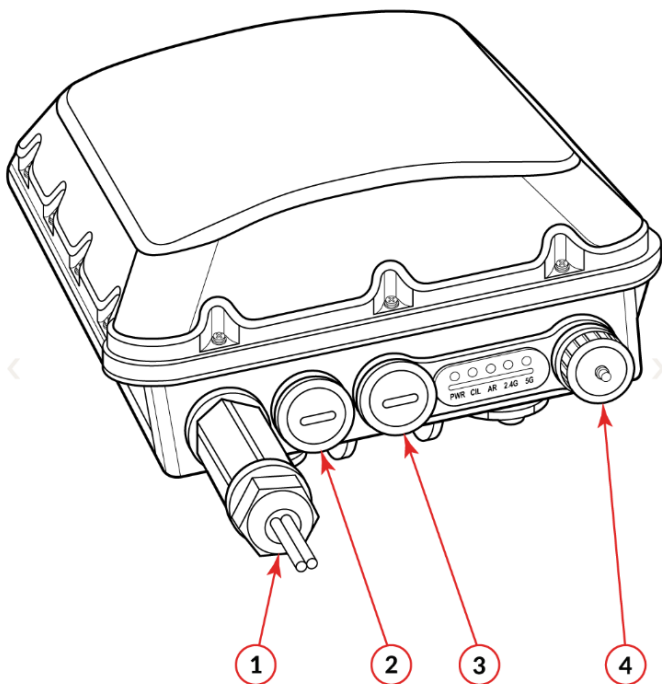
The RUCKUS T750SE is a high-end dual-band outdoor Wi-Fi 6 AP with external antenna connectors that supports 8 spatial streams (4x4:4 in 5GHz, 4x4:4 in 2.4GHz).

The T750SE provides advanced 802.11ax features including OFDMA and MU-MIMO, and supports up to 1,024 client connections with increased capacity, improved coverage and performance in ultra-high density environments.

The T750SE includes a 2.5 GbE Ethernet PoE+ port for high speed Ethernet backhaul, along with an SFP fiber port for fiber backhaul. Additionally, it includes built-in GPS, USB port, gigabit PoE out port, and IP-67 rated weather proofing.

This section describes the physical features of the RUCKUS Unleashed T750SE AP.

Figure 1. Unleashed T750SE Access Point








1. SFP port
2. PoE IN
3. PoE OUT
4. AC port

Front Panel

The T750SE AP features five LEDs on its front panel.

Table 1. Front Panel LEDs

LED	Status	Description
2.4G	 Solid Green	Radio is up, at least one client is connected to the 2.4 GHz radio.
5G	 Off	Radio is down.
5G	 Amber (solid)	Radio is up, no clients are connected to the 5 GHz radio.
5G	 Solid Green	Radio is up, at least one client is connected to the 5 GHz radio.
5G	 Flashing Green	Radio is up, at least one downstream Mesh AP is connected to the 5G radio.

Revision #2

Created 21 August 2024 09:41:05 by Jarryd

Updated 21 August 2024 09:46:43 by Jarryd